

Robustel GoRugged M1000 Lite

Industrial GPRS Modem for GSM/GPRS Networks



Overview

- The Robustel GoRugged M1000 Lite is a rugged cellular modem offering state-of-the-art GSM/GPRS connectivity for machine to machine (M2M) applications.
- The modem transmits data and short messages (SMS) over GSM/GPRS mobile networks, also is controlled by firmware through a set of AT commands.
- Has RS232 or RS485 interface, with 15 KV ESD serial line protections.
- The modem supports a wide range of input voltages from 9 to 36 VDC and a wide range of temperature from -25 to 70°C.
- The metal enclosure can be mounted on a DIN-rail or on the wall, also with extra ground screw.

Robustel

➤ www.robustel.com ➤ info@robustel.com

Features

- Control via AT commands (Hayes 3GPP TS 27.007 and 27.005)
- PPP, TCP/IP stack for GPRS data transfer
- CSD Data Transmission Rate up to 14.4 kbps
- Send / receive SMS via AT commands (Under normal mode)
 - Text and PDU SMS
 - Point to point SMS (MT/MO)
- Auto Reboot every 24 hours

Specifications

Cellular Interface	Standard	GSM and GPRS GPRS: max. 86 kbps (DL and UL)
	Band Options	Quad-Band 850/900/1800/1900 MHz
	GPRS Multi-slot Class	Class 12
	Mobile Station Class	Class B
	PBCCH	Support
	GPRS Coding Schemes	CS1 to CS4
	CSD Data Transmission Rate	Up to 14.4 kbps
	USSD	Support
	Output Power	1 watt GSM1800/1900, 2 watts EGSM 900/GSM 850
SIM Interface	Number of SIMs	1
	SIM Card Reader	3V, 1.8V
Antenna Interface	Antenna Interface	SMA Female, 50 ohms impedance
Serial Interface	Number of Ports	1
	Interface	DB9 Female
	Serial Standards	RS232 or RS485
	ESD Protection	15KV
Serial Communication Parameters	Data Bits	8
	Stop Bits	1
	Parity	None
	Flow Control	RTS/CTS hardware flow control XON/XOFF software flow control
	Baudrate	Baud rates from 300bps to 115200bps Auto-bauding from 1200 to 115200bps
Serial Signals	RS-232	TxD, RxD, RTS, CTS, DTR, DSR, DCD, RI, GND
	RS-485	Data+ (A), Data- (B), GND
LED Indicators	LED Indicators	2 LED indicators, PWR, NET
Watchdog	Watchdog and Timer	Built-in watchdog and timer
Power Supply Interface	Power Supply Interface	2-pin 5mm pluggable terminal blocks
Power Requirements	Input Voltage	9 to 36 VDC

**Robustel GoRugged M1000 Lite
Industrial GPRS Modem**

	Power Consumption	Idle: 50-60 mA @ 12 V
		Data Link: 100 to 200 mA (peak) @ 12 V
Physical Characteristics	Housing	Metal
	Weight	300g
	Dimension	Without ears (L x W x H): 102.4 x 71.4 x 29.4 mm With ears (L x W x H): 102.4 x 99.4 x 29.4 mm
	Installation Method	35mm Din-Rail or wall mounting or desktop
Environmental Limits	Operating Temperature	-25 to 70°C
	Storage Temperature	-40 to 85°C
	Operating Humidity	5 to 95% RH
Regulatory and Type Approvals	Directives	RoHS and WEEE compliant
	CE and R&TTE Approval	To be determined
Warranty	Warranty Period	1 year

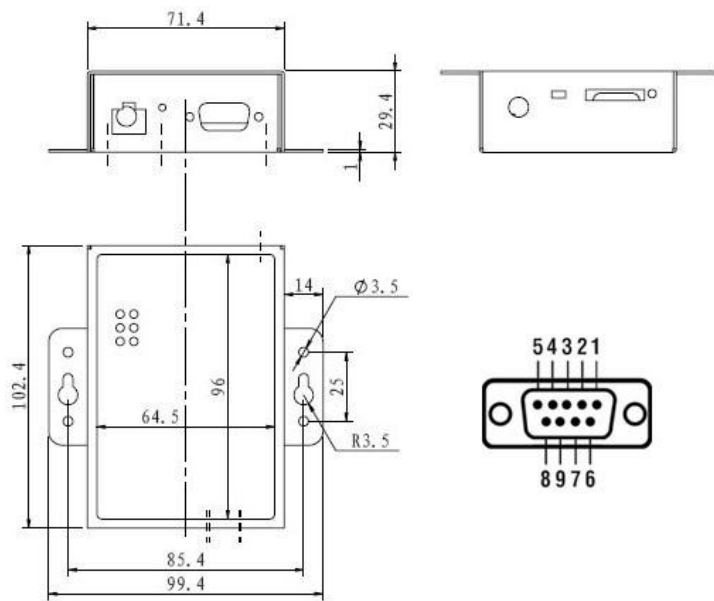
Packing List

- Robustel M1000 Lite modem x1
- SMA antenna (Stubby antenna or Magnet antenna optional) x1
- 2-pin 5mm pluggable terminal block for power connector x1
- CD with user guide x1

Optional Accessories (can be purchased separately)

- AC/DC Power Supply Adapter (Input 100 to 240VAC, output 1A @ 12VDC) x1
- 35mm Din-Rail mounting kit x2
- Serial cable for RS232 (DB9 Female to DB9 Male, 1.5 meters) x1

Dimensions



PIN Assignment

DB9 Female Connector

PIN	RS232	RS485 (2-wire)
1	DCD	Data- (B)
2	RXD	Data+ (A)
3	TXD	
4	DTR	
5	GND	GND
6	DSR	
7	RTS	
8	CTS	
9	RI	

Selection and Ordering Data

Model No.	Built-in Module	Networks	RS232	RS485
M1000-LQM35A	Quectel M35	Quad-Band GSM 850/900/1800/1900 MHz, GPRS Class 10	O	X
M1000-LQM35B	Quectel M35	Quad-Band GSM 850/900/1800/1900 MHz, GPRS Class 10	X	O

Robustel

Guangzhou Robustel Technologies Co., Limited

Copyright© 2011 Robustel Technologies

All Rights Reserved.

WEB: <http://www.robustel.com>

E-MAIL: info@robustel.com

Distributor Information